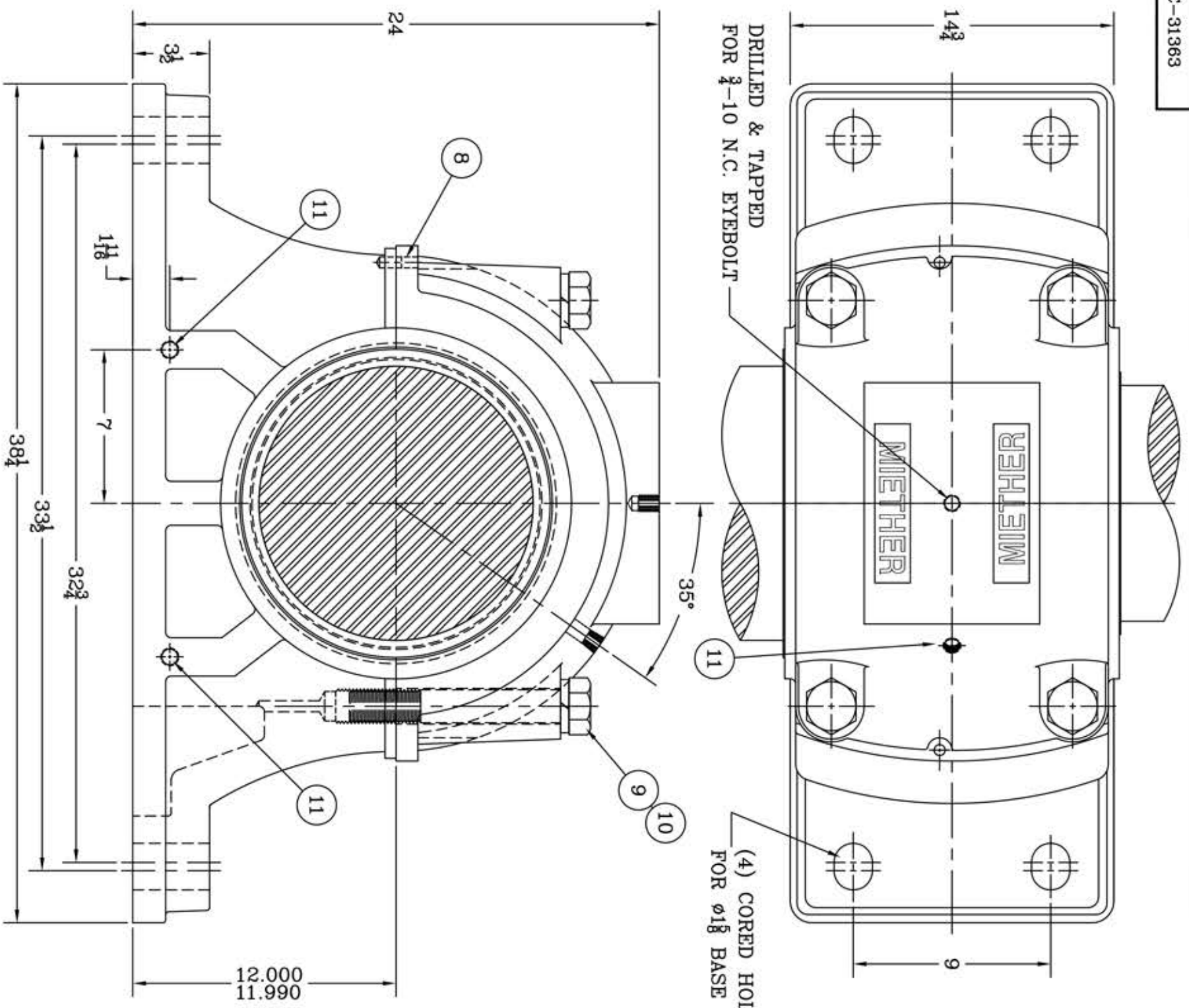
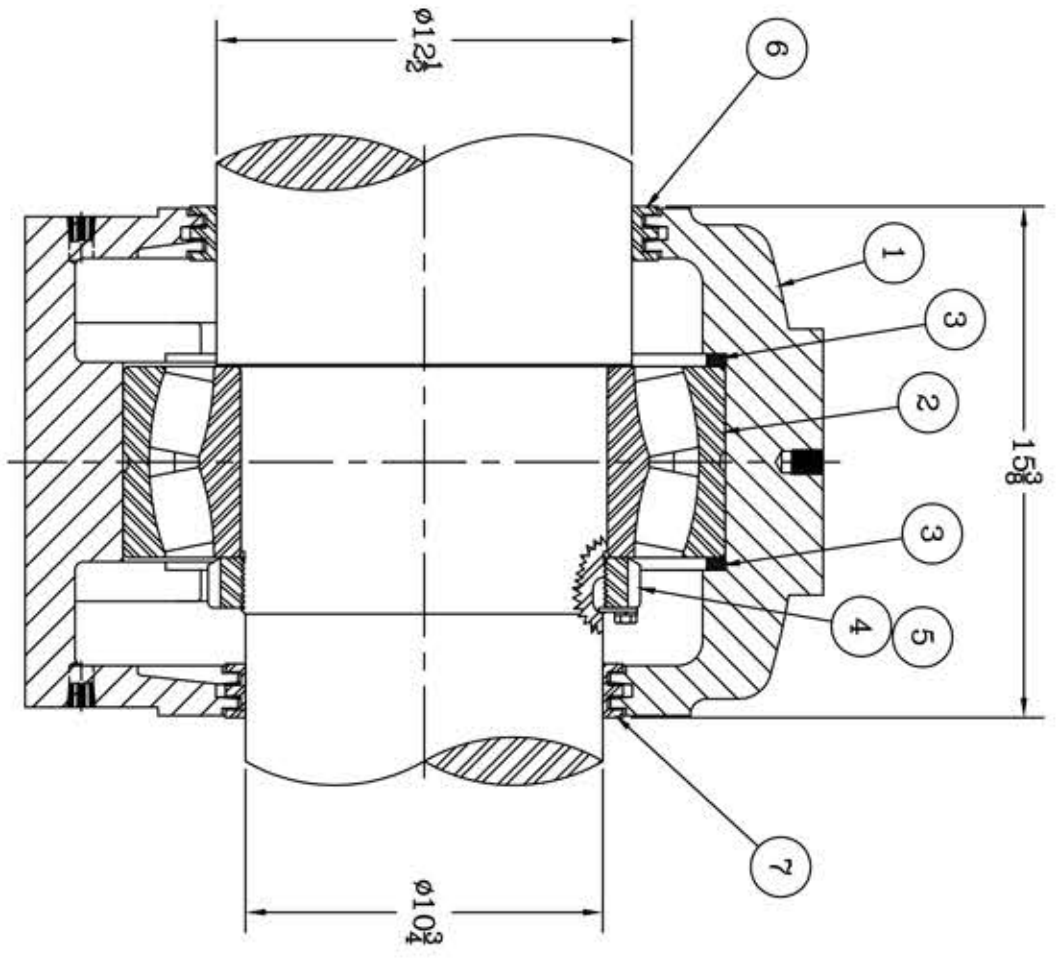


This drawing is the sole property of Miether Bearing Products and contains confidential and proprietary information. It is being provided to you for your use and may not be disclosed to any third party or used for any other purpose without Miether's prior written consent. The [materials] must be returned to the Company upon its demand. Your acceptance of these materials constitutes your acceptance of the foregoing terms.



ITEM	DESCRIPTION	DETAIL	REQUIRED
1	HOUSING SDAF 3156 12-08 x 10-12	C-31362	1 1
2	SPHERICAL ROLLER BEARING	23156C3/W33	1 1
3	STABILIZING RING A8967	A-10549	2 0
4	LOCKNUT N-056	B-10050	1 1
5	LOCK PLATE P-56	A-10154	1 1
6	TRIPLE SEAL RING ER-826	A-15991	1 1
7	TRIPLE SEAL RING ER-866	A-11299	1 1
8	DOWEL	Ø 1/2 x 1" LONG	2 2
9	CAP BOLT HEX. HEAD	1 1/2-6 NC x 10" LONG	4 4
10	LOCKWASHER	1 1/2 SPLIT MED.	4 4
11	PIPE PLUG	1/2-14 NPT	5 5



REVISIONS

SYMBOL	DESCRIPTION
✓	16
✓	32
✓	63
✓	125
✓	250
✓	500
✓	1000

TOLERANCE: UNLESS OTHERWISE SPECIFIED
 FRACTIONS $\pm 1/32$ " ANGLES $\pm 0^\circ 30'$
 DECIMALS $\pm .005$ WELD $\pm 1/16$ "
 CASTING $\pm 1/16$ "
 A.I.S.I. STANDARD FINISHES

AN ALCO INDUSTRIES COMPANY
 BEARING PRODUCTS
 ODESSA, TX. USA

SDAF 23156 12-08 x 10-12
 ASSEMBLY DRAWING
 SCALE 1 = 4
 DRAWN RWB
 DATE 5-2-03
 CHK:

ASSEMBLY NO.
 DRAWING NO.
 C-31363